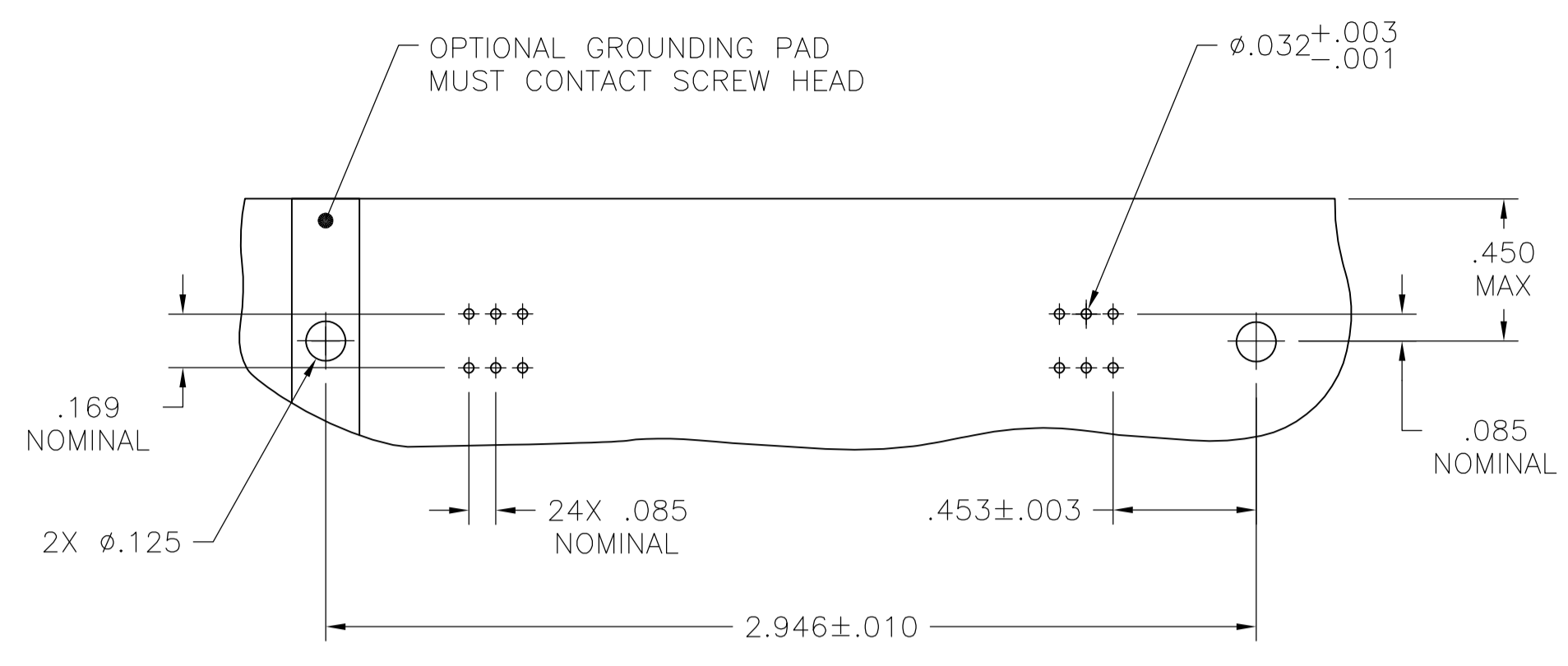
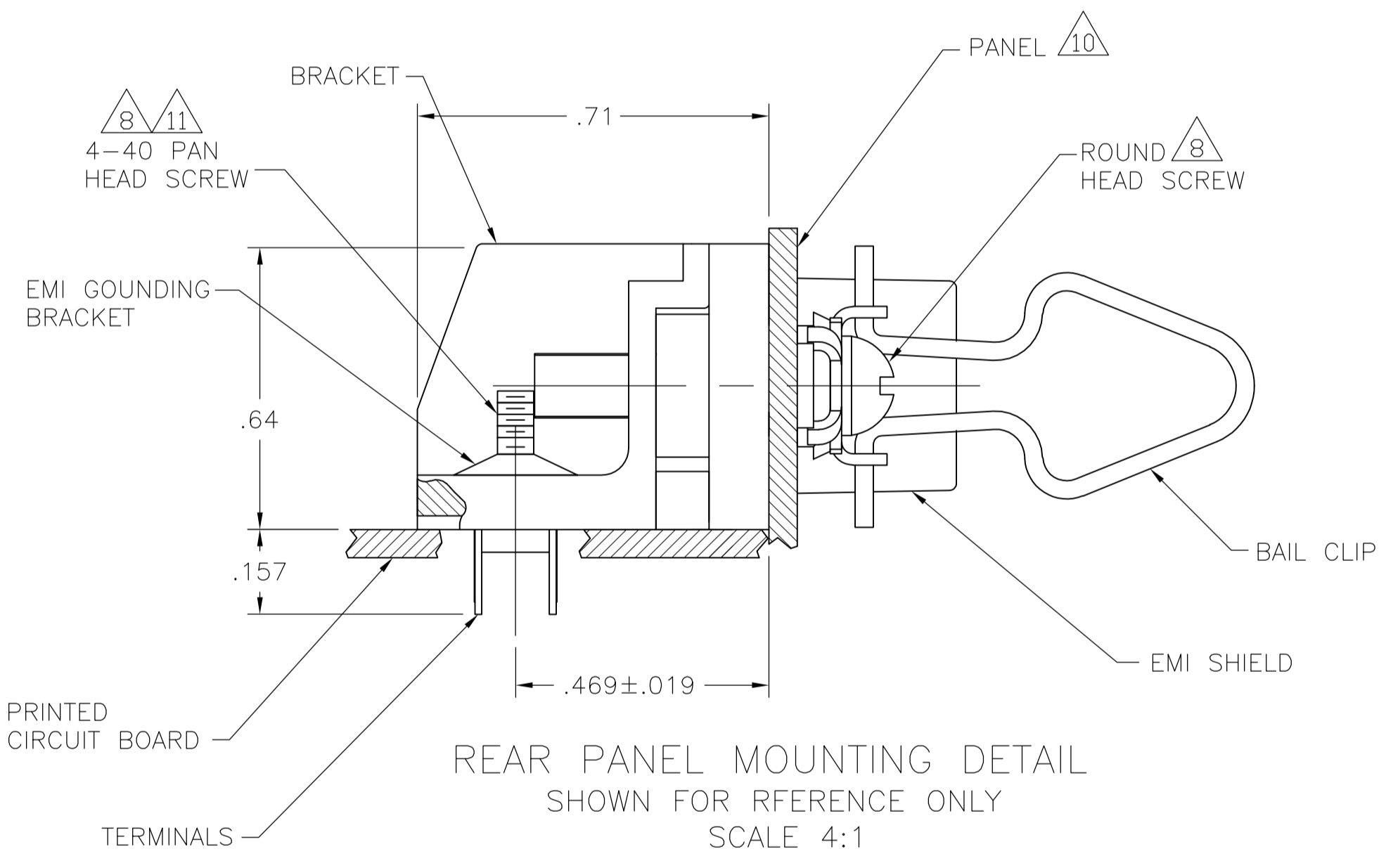
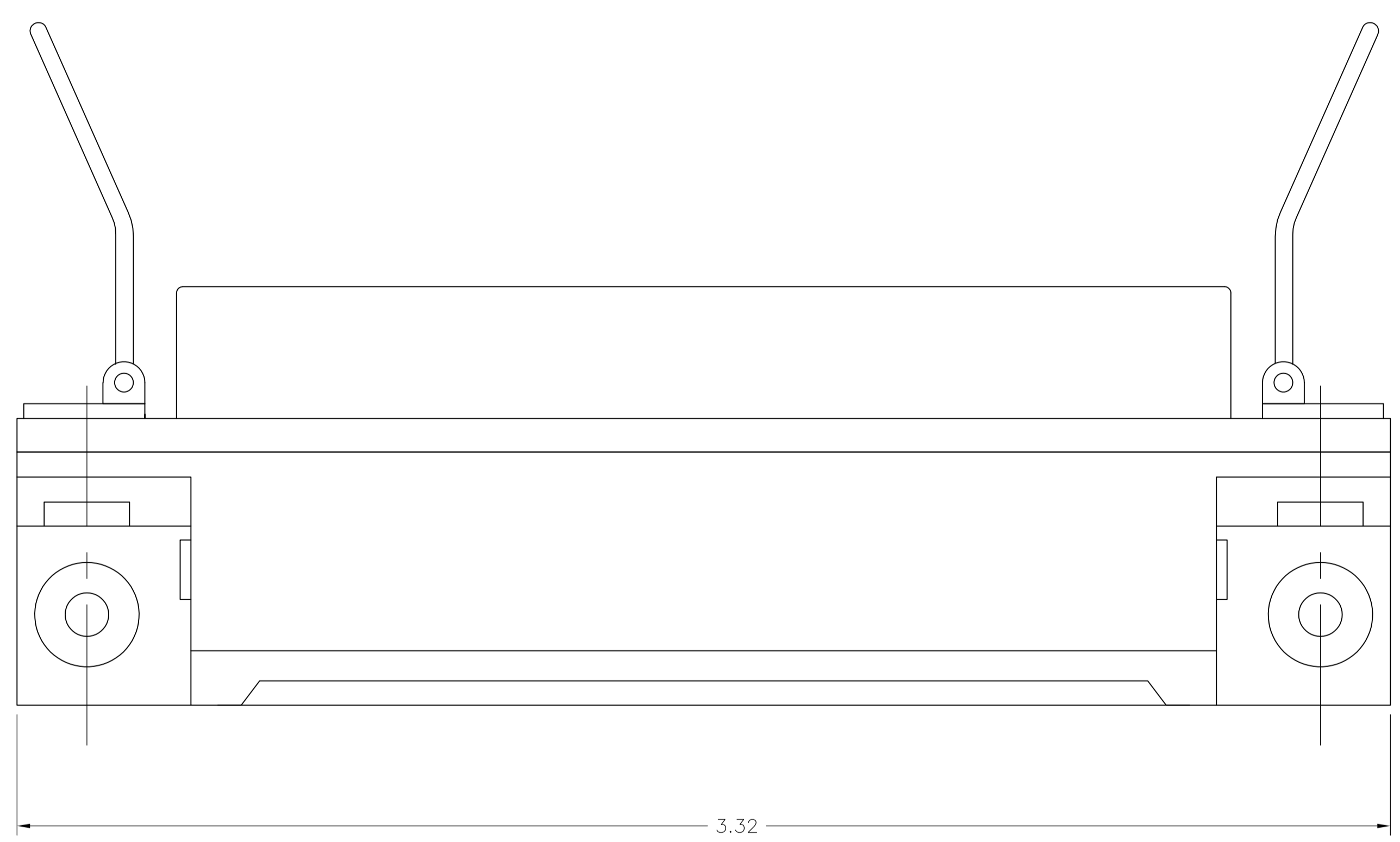


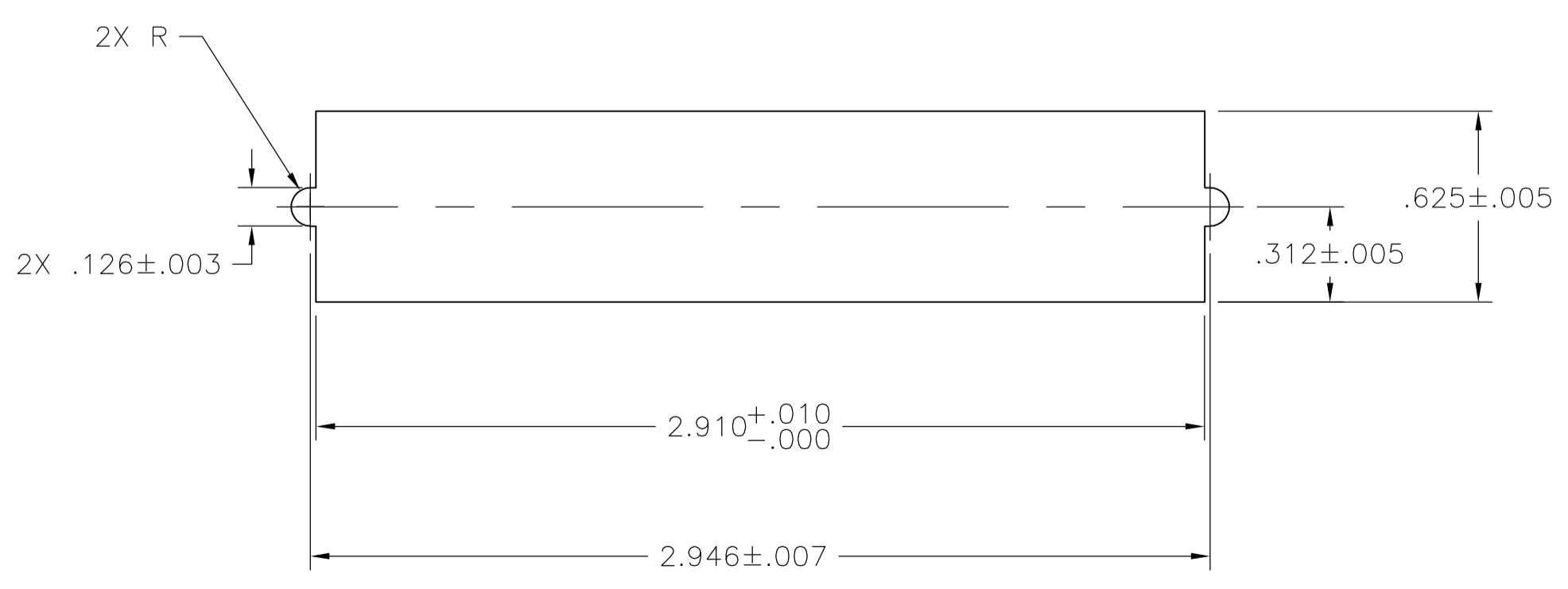
LOC		DIST		REVISIONS			
GP	00	REV	DATE	BY	APP'D	DATE	BY
B		REVISED PER ECO-08-007327	09APR08	BM	WM		



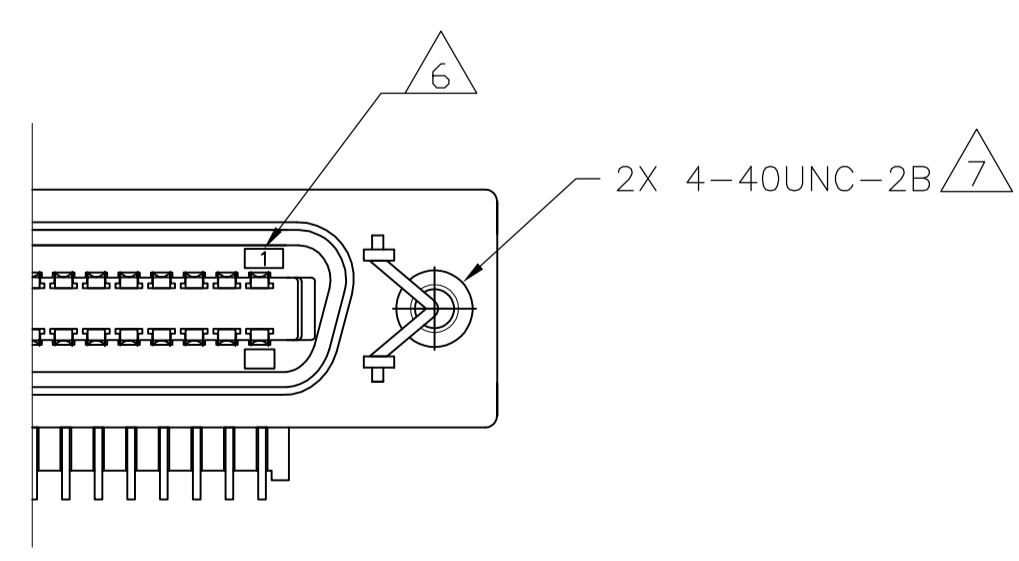
SUGGESTED PRINTED CIRCUIT BOARD MOUNTING DIMENSIONS



REAR PANEL MOUNTING DETAIL SHOWN FOR REFERENCE ONLY SCALE 4:1



SUGGESTED REAR PANEL MOUNTING SHOWN FOR REFERENCE ONLY



DETAIL A STANDARD ORIENTATION

1. MATERIAL:
 HOUSING, BRACKET, ADAPTER COMB & TERMINAL SUPPORT PLATE - THERMOPLASTIC (BLACK).
 EMI SHIELD - BRIGHT NICKEL OVER COPPER PLATED DIE CASTING.
 TERMINALS - HIGH STRENGTH COPPER ALLOY PLATED WITH EITHER .000030 MIN GOLD PLATE OR GOLD FLASH OVER PALLADIUM NICKEL PLATE, .000030 MIN TOTAL ON MATING SURFACE. .000120 MIN TIN PLATE ON TAILS. ALL OVER .000050 MIN NICKEL UNDERPLATE OVER ENTIRE TERMINAL.
 BAIL CLIP - PASSIVATED STAINLESS STEEL.
2. THE CONTACT SURFACES OF THE TERMINALS ARE COATED WITH LUBRICANT.
3. CENTER-TO-CENTER SPACING OF TERMINALS IS .085 NOMINAL.
4. ALL DIMENSIONS SHOWN ARE MAXIMUM UNLESS OTHERWISE SPECIFIED.
5. DETAIL A IS VIEWED FROM MATING SIDE OF RECEPTACLE ASSEMBLY.
6. TERMINAL 1 IS LOCATED IN THIS ROW FOR STANDARD ORIENTATION.
7. HOLES ARE TAPPED AFTER PLATING.
8. SCREWS SHOWN FOR REFERENCE ONLY. RECOMMENDED HARDWARE KIT 554273-2 FOR USE WITH THIS PART NUMBER.
9. BAIL CLIPS & EMI SHIELD ARE ASSEMBLED TO CONNECTOR BEFORE SHIPMENT.
10. PANEL THICKNESS RANGE: .062 MAX.
11. STAINLESS STEEL SCREWS RECOMMENDED BECAUSE OF CONTACT WITH SOLDER BATH.

5554901-1
PART NUMBER

THIS DRAWING IS A CONTROLLED DOCUMENT.		DWG: MCMMASTER	DATE: 08AUG05	Tyco Electronics Corporation Harrisburg, PA 17105-3608	
DIMENSIONS: INCHES		CHK: W. MILLHIMES	DATE: 08AUG05	NAME: RECEPTACLE ASSEMBLY, SHIELDED, 50 POSITION, BAIL LOCK, RIGHT ANGLE, PANEL MOUNTING, PRINTED CIRCUIT BOARD, CHAMP	
TOLERANCES UNLESS OTHERWISE SPECIFIED:		APP'D: M. WALMISEY	DATE: 08AUG05	PRODUCT SPEC: ---	
0. PLC	± .005	APPLICATION SPEC: ---		SIZE: A1	
1. PLC	± .003	WEIGHT: ---		CAGE CODE: 00779	
2. PLC	± .002	CUSTOMER DRAWING		DRAWING NO: 5554901	
3. PLC	± .001	SCALE: 1:1		SHEET 1 OF 1	
4. PLC	± .0005	REV: B		RESTRICTED TO: ---	
ANGLES	± .0005				